

Library Management System Component Diagram

Component Diagram for Library Management System Description

A library management system is software that can be used to manage all the tasks of a library, like how many people can come in and out. This tool keeps track of new books and the books that members have checked out. They can also be kept track of when they're due. This system does all of your library's work for you.

Library management systems are used to keep track of the movement of books and the people who use the library. The software solution is made to meet the needs of the system, the people who will use it, the content of the operation, and the activity that will be done.

What is Library Management System Component Diagram in UML?

A component diagram in the (UML) Unified Modeling Language shows how parts are wired together to make bigger parts or software systems. They are used to show the structure of any kind of system.

The UML component diagram shows how a software system will be made up of a set of deployable components, such as dynamic-link library (DLL) files, executable files, or web services. Using well-defined interfaces, these parts communicate with each other and keep their internal details hidden from each other and the outside world.

Benefits of using Component Diagram

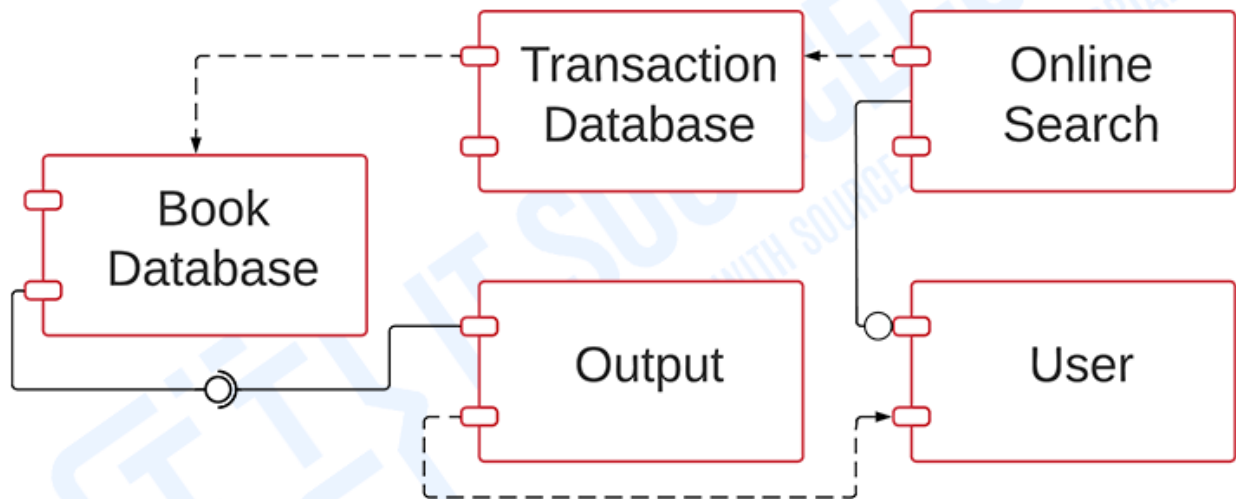
As complicated as it looks, the component diagram is very important when you're building your system because it shows how everything works together. Here are the benefits of designing the library management component diagram:

- Imagine how the system looks in real life.
- Pay attention to the system's parts and how they work together.
- Pay attention to how the service behaves when it comes to the interface.

The Component Diagram of Library Management System

This **component diagram of library management system** is the illustration of the components of every hardware and software node. The component diagram below is a detailed illustration of the [library management system deployment diagram](#).

LIBRARY MANAGEMENT SYSTEM



COMPONENT DIAGRAM

UML Component Diagram for Library Management System

This component diagram shows the structure of the library system, which consists of the software components and their interfaces, and how they work together. You can use component diagrams to show how software systems work at a high level, or you can use them to show how each component works at a lower level, like in a package.

Library Management System Component Diagram (Explanation)

The **Library Management System UML component diagram** explains the sketch of the required software and hardware components and the dependencies between them. These components are labeled to clarify their part in the system's operation. They were represented by symbols that explain their function and role in the overall library management operation.

The component diagram of library management system has 5 components which are book database, transaction database, output, online search, and the user. The component "output" is the required interface which is dependent on the provided book database component. The included components were just based on the main function of the system.

The dependencies on each component are explained through the lines and arrows drawn in the diagram. This design can be modified or can be innovated to achieve the required functions of the said system.